



FEATURES

- Long life NDIR CO2 sensor cell
- Self-calibrating CO2 sensor
- Local backlit concentration display
- Built-in audible horn
- Built-in visual LED alarm indicators
- 3-year warranty
- 24V DC Power Supply Included (99174)
- International Power Supply Included (99191)

Carbon Dioxide CO2 Monitor 0-50,000 ppm

ITEM #: 99174- Includes Domestic Power Supply

ITEM #: 99191 - Includes International Power Supply

Product Summary

PureAire Monitoring Systems Carbon Dioxide Monitor is designed for continuous monitoring of carbon dioxide in confined spaces. The monitor is ideal for facilities where carbon dioxide is used, stored, or is present as a by-product of production processes. The CO2 monitor is suitable for environments such as breweries, wineries, food processing plants, laboratories, greenhouses, cannabis grow rooms, bars and restaurants, hospitals, and universities. The monitor will remain accurate over a wide range of temperature (0-50° Celsius) and humidity (0-95%RH) levels, as well as changes in barometric pressure. PureAire's durable, non-dispersive infrared sensor (NDIR) cell, will last 10+years in a normal environment, without needing to be replaced.

Why choose PureAire?

PureAire Monitoring Systems, Inc. is an industry leader in oxygen and gas detection. For over 25 years, we have dedicated ourselves to the safety of our clients, and the customers they serve, by manufacturing monitors that are long-lasting, accurate, and reliable. PureAire takes pride in providing exceptional customer service, along with 24/7 availability to our technical service department.

Why a CO2 Monitor?

The CO2 monitor is designed for continuous monitoring in confined spaces where elevated carbon dioxide levels pose a hazard to personnel.

What gases can be detected with a CO2 Monitor?

PureAire's CO2 Monitor is used to monitor carbon dioxide.

Easy to Use

The monitor will arrive ready to work right out of the box. Simply secure the unit to the wall 3-5 feet from the gas source, plug it in, and power it on. The monitor will begin sampling CO2 levels after a brief startup period. Carbon Dioxide levels are displayed clearly on the screen for easy access and visibility.

Locations That Need This Product

- *Breweries & Wineries*
- *Bars & Restaurants*
- *Food Processing*
- *Pharmaceutical Manufacturers*
- *Grow Rooms*
- *Laboratories*
- *Building Management*

Top Advantages of a CO2 Monitor



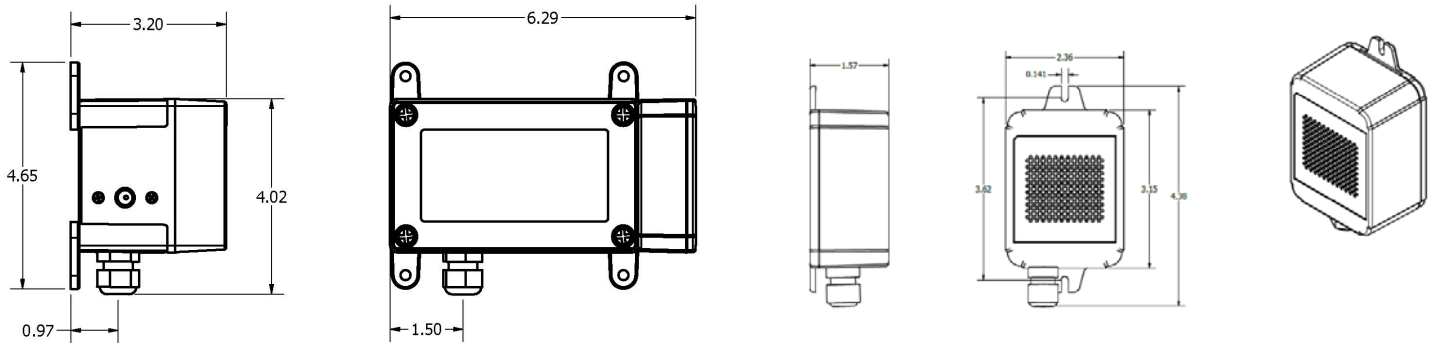
CO2 Monitor Alarm Features

PureAire's CO2 Monitor has 2 adjustable alarm setpoints that can connect to a horn/strobe, 8 channel controller, or into building systems. Alarm signals also can tie into automatic shut-off valves when carbon dioxide levels reach an OSHA action threshold.



Easy To Use

PureAire's CO2 Monitor provides constant monitoring with little to no adjustments, saving you time and money while allowing the monitor to operate seamlessly. Our quality sensors make this the longest lasting monitor on the market.



Top Accessories



8 Channel Programmable Controller

ITEM #: 99196



Remote Digital Display

ITEM #: 99193



**Red Horn/Strobe
24VDC**

ITEM #: 42002



1-888-788-8050

info@pureaire.net
pureairemonitoring.com

1140 Ensell Road
Lake Zurich, IL 60047
1-847-726-6000