



FEATURES

- No calibration required for oxygen
- Self-calibrating CO2 sensor
- Local backlit concentration display
- Built-in visual LED alarm indicators
- Alarm level 1 and 2 for O2 and CO2
- No drift due to environmental or temperature changes
- 3-year warranty
- No maintenance zirconium O2 cell and long life CO2 sensor
- Built-in Flow Sample Pump

IP67 Water-Resistant Sample Draw Dual O2/CO2 Monitor with 10+ Year Sensor

ITEM #: TX-1100 (99127)

Product Summary

The Water-Resistant Sample Draw Dual O2/CO2 Monitor is a self-contained system that is designed for continuous monitoring of inert gases in confined spaces that require daily wash-downs. The monitor can sample O2/CO2 levels from up to 100 feet away and is ideal for facilities that use inert gases including, but not limited to, nitrogen, helium, and argon. Its IP67 water resistant enclosure keeps the monitor dry during wash-downs. The O2/CO2 monitor is perfect for environments such as breweries, bottling plants, food processing facilities, and laboratories. The monitor will remain accurate at temperatures as low as -40C. PureAire's durable, non-depleting, zirconium oxide sensor cells, and NDIR cells, will last up to 10+years in a normal environment, without needing to be replaced.

Facilities That Need This Product

- Laboratories
- Breweries and Bottling Plants
- Biomedical
- Food Processing
- Flash Freezing Tunnels
- Freezers

Why choose PureAire?

PureAire Monitoring Systems, Inc. is an industry leader in oxygen monitoring and gas detection. For over 20 years, we have dedicated ourselves to the safety of our clients, and the customers they serve, by manufacturing monitors that are long-lasting, accurate, and reliable. PureAire takes pride in providing exceptional customer service along with 24/7 availability to their technical service department.

Why a Water-Resistant Sample Draw O2/CO2 Monitor?

The Water-Resistant Sample Draw O2/CO2 Monitor is designed for continuous, remote sampling where low oxygen levels and high levels of carbon dioxide pose a hazard to personnel. The IP67 water-resistant enclosure keeps the electronics dry during wash-downs.

What gases can be detected with a Water-Resistant Sample Draw O2/CO2 Monitor?

PureAire's water-resistant sample draw O2/CO2 monitor continuously measures oxygen and carbon dioxide levels in an ambient atmosphere where inert gases, including nitrogen, argon helium, and carbon dioxide are used.

Easy to Use

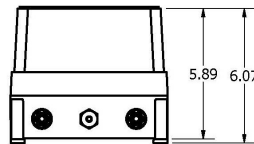
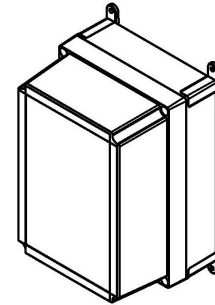
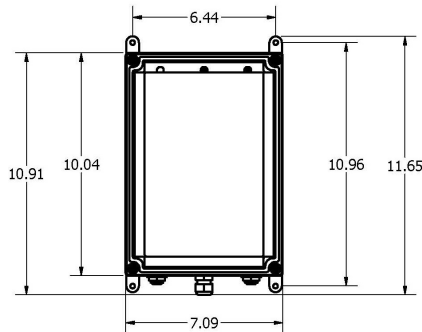
Secure the monitor to the wall so the display is visible, place the remote sensor up to 100 feet from the monitor, and connect the monitor to a 24VDC 300mA power source. The monitor will begin sampling O2/CO2 levels after a brief startup period. O2/CO2 levels are displayed clearly on the screen for easy access and visibility.

Top Advantages of Oxygen Deficiency Monitor



Oxygen Deficiency Alarm

PureAire's O2 Monitor comes with 2 adjustable alarm setpoints that can connect to a horn/strobe, exhaust fan, 8 channel controller, remote display, or into building systems. Alarm signals also can tie into automatic shut-off valves when oxygen levels fall below the OSHA threshold.



Top Accessories



**8 Channel Programmable
Controller for O2 or Gas
Monitors**

ITEM #: 99196



**Remote Digital
Display**

ITEM #: 99091



**Red Horn/Strobe
24VDC**

ITEM #: 42002



1-888-788-8050

info@pureaire.net
pureairemonitoring.com

1140 Ensell Road
Lake Zurich, IL 60047
1-847-726-6000